



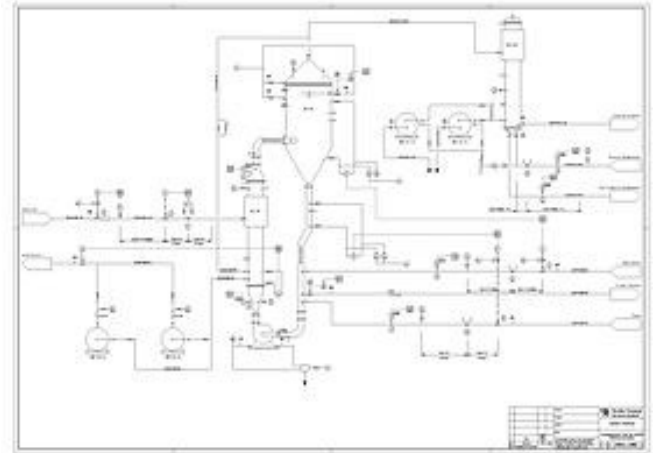
**FREE!**

**CWEA WEBINAR SERIES**  
Professional Development Committee

# SFPUC's 4 Steps, from P&ID Babble to Conversation

## WHO SHOULD ATTEND?

Operators, Maintenance Staff, Planners, Engineers, and others with little to no formal controls training who want to learn a layperson's structured approach to the basics of Instrumentation and Controls (I&C), how such work is represented on a Piping and Instrumentation Diagram (P&ID), and how combining a P&ID with a corresponding Control Narrative provides a more comprehensive description of a process system.



## SERIES OBJECTIVES (DAYS 1 TO 3):

1. Be able to identify instruments represented on a P&ID
2. Be able to discern whether a represented instrument is intended to indicate measurement value(s) locally, remotely, or at all
3. Be able to read/comprehend a simple control narrative and find related instruments and measurement indications/actions represented on a P&ID

## OFFICE HOUR (DAY 4, OPTIONAL)

will provide an opportunity for online discussion of screen-shared examples of P&IDs

## WHEN (11:30 am to 12:15 pm each day):

- Day 1 - Tuesday, October 17, 2023
- Day 2 - Wednesday, October 18, 2023
- Day 3 - Thursday, October 19, 2023
- Day 4 - Wednesday, October 25, 2023



## Registration Details

Registration is required by 10 am, 10/16/2023. Click on the link to [Register for the Webinar Series and Optional Office Hour](#).

For more info, contact: Linda Leong | [lleong@sfwater.org](mailto:lleong@sfwater.org)