



RSVP required by 3/15!

CWEA WEBINAR SERIES  
Professional Development Committee

# FREE! SFPUC's 4 Steps, from P&ID Babble to Conversation

## WHO SHOULD ATTEND?

Operators, Maintenance Staff, Planners, Engineers, and others with little to no formal controls training who want to learn a layperson's structured approach to the **basics of Instrumentation and Controls (I&C)**, how such work is represented on a **Piping and Instrumentation Diagram (P&ID)**, and how combining a P&ID with a corresponding **Control Narrative** provides a more comprehensive description of a process system.

## SERIES OBJECTIVES (DAYS 1 TO 3):

1. Be able to **identify instruments** represented on a P&ID
2. Be able to discern whether a represented instrument is intended to indicate measurement value(s) **locally, remotely**, or at all
3. Be able to read/comprehend a simple control narrative and **find related instruments and measurement indications/actions** represented on a P&ID

## OFFICE HOUR (DAY 4, OPTIONAL)

will provide an opportunity for online discussion of screen-shared examples of P&IDs

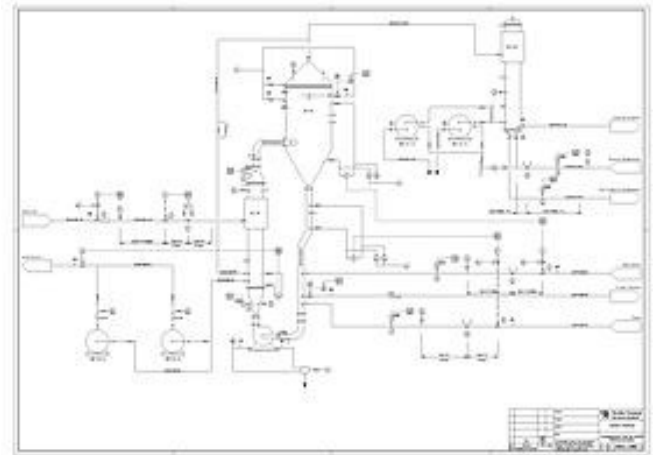


Image 1 - from <https://en.m.wikipedia.org/wiki/File:P%26ID.JPG>

## WHEN (4:00 to 4:45 pm each day):

Day 1 - Tuesday, March 19, 2024  
Day 2 - Wednesday March 20, 2024  
Day 3 - Thursday, March 21, 2024  
Day 4 - Wednesday, March 27, 2024



Image 2 - Louis-Gustave-Fortuné Ratisbonne (1827-1900), Public domain, via Wikimedia Commons

## Registration Details

Click on the [link](#) to [Register for the Webinar Series](#) and Optional Office Hour.

For more info, contact: [Celia Kitchell | celiak@deltadiablo.org](mailto:celiak@deltadiablo.org)

Registration is required by  
3 pm, 3/15/2024

Late registrations will NOT  
be accepted.